

# Data Sheet

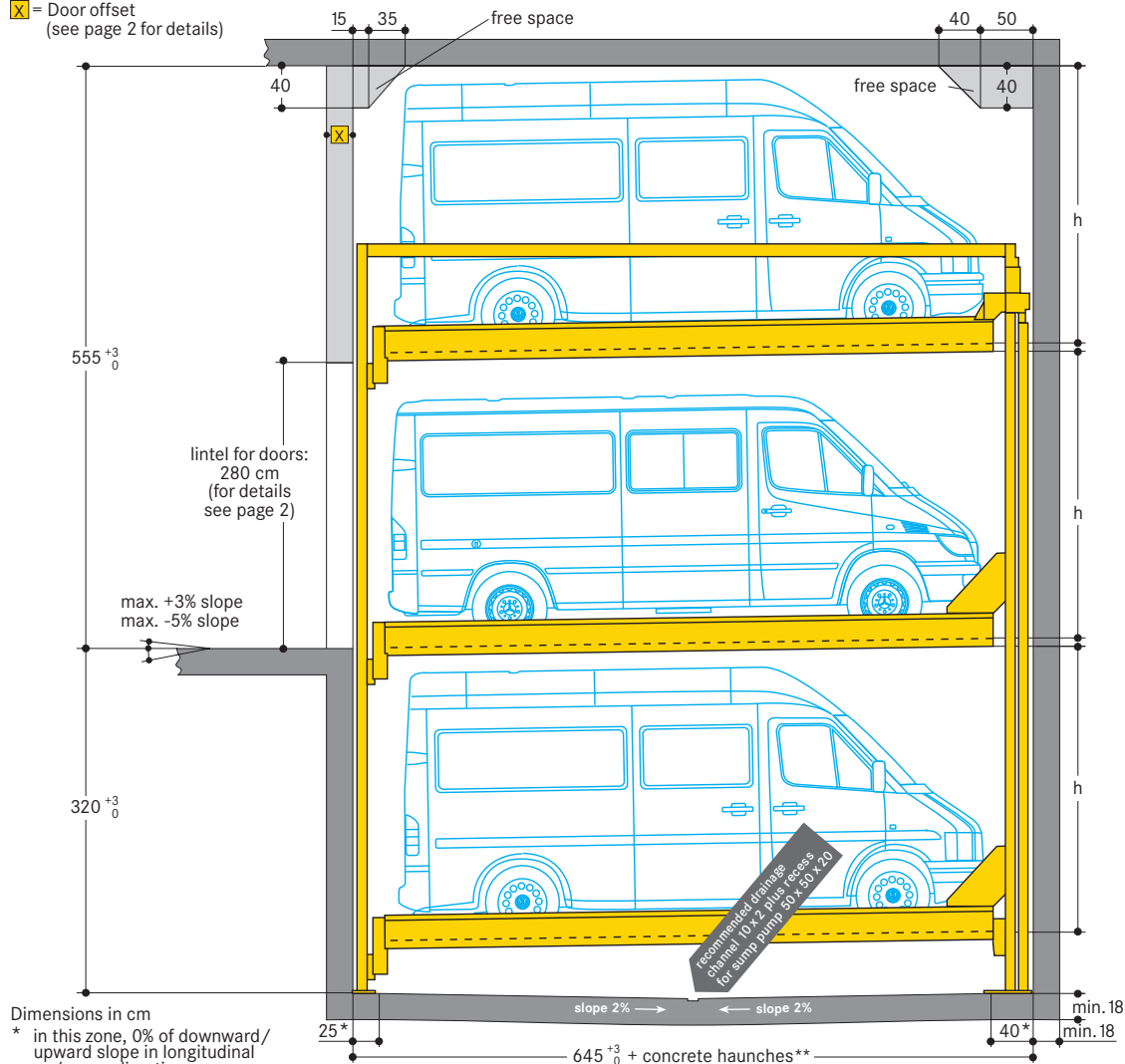
## WÖHR COMBILIFT 544-2,6



Suitable for transportation and vehicle industry. For permanent use only! In case of short time use technical adjustments are required. Please contact WÖHR! Platforms are in horizontal position to drive on.

**Load per platform max. 2600 kg (load per wheel max. 650 kg)**

**X** = Door offset (see page 2 for details)

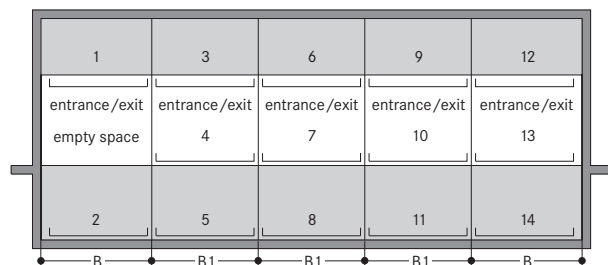


\* in this zone, 0% of downward/upward slope in longitudinal and cross direction  
 \*\* see notes, point 4

	car height	distance
<b>UL</b>	cars up to 265 cm and max. 2600 kg	h = 270
<b>EL*</b>	cars up to 265 cm and max. 2600 kg	h = 270
<b>LL*</b>	cars up to 265 cm and max. 2600 kg	h = 270

UL = upper level  
 EL = entrance level  
 LL = lower level

### Width dimensions



Space required		gives clear platform width
B	B1	
280	270	250
290	280	260
300	290	270

One entry/exit is required on entrance level for each grid.

### Notes

- Pits must always be protected by a sliding door (even in underground garages).
- Arrangements start with 2 grids for 5 cars, 3 grids for 8 cars etc.
- Installation length of 645 cm for car length of a max. of 570 cm. Clear platform width of 250 cm for car widths of 190 cm.
- It is not possible to have channels or undercuts and/or concrete haunches along the pit's rear and front floor-to-wall joints. In the event that channels or undercuts are necessary, the pit length needs to be increased based on the dimensions of said channels or undercuts.
- The manufacturer reserves the right to construction or model modifications and/or alterations. Furthermore, the right to any subsequent part modification and/or variations and amendments in procedures and standards due to technical and engineering progresses in the art or due to environmental regulation changes, are also hereby reserved.

## Doors

According EN 14010, the Comblift 544 must be closed with doors. The door controls are integrated in the overall system. That means:

- The doors are electro-mechanically interlocked
- The doors can only be opened when the selected parking place has reached the entry/exit position
- Any pits are closed in the entrance area

### Door types:

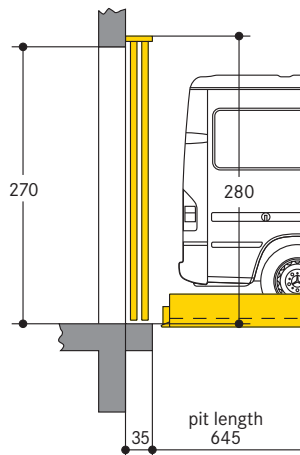
Only manually operated sliding doors

- for underground garages with galvanised barred metal panelling
- above ground with powder coated metal sheets (RAL 7030)

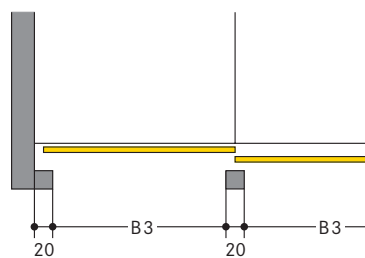
### Installation:

Behind the building pillars with door offset

### Section

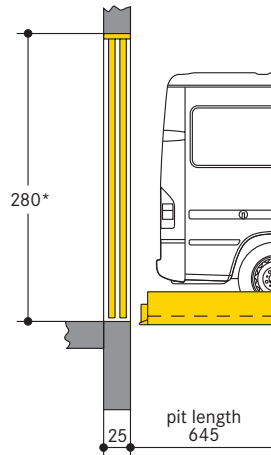


### Ground plan

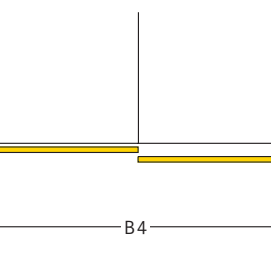


### Installation:

Below the lintel between the building pillars

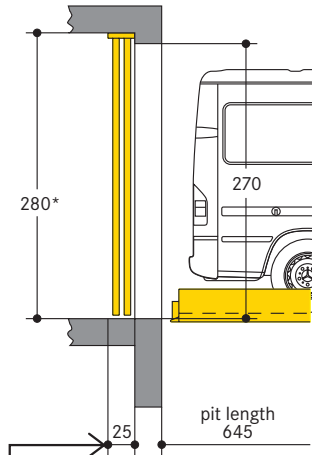


### Ground plan

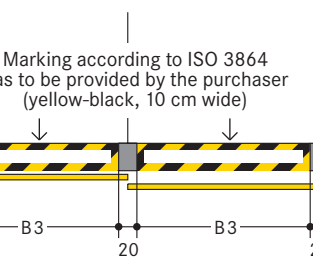


### Installation:

In front of the building pillars



### Ground plan



Space required		Gives clear platform width
B3	B4	
250	520	250
260	540	260
270	560	270

\* The lintel of 280 cm is absolutely necessary. If differing heights additional fixings are required at additional charge. If no lintel is provided, the gates need to be fitted onto a steel frame (subject to surcharges).

## Sliding door floor guides in underground garages

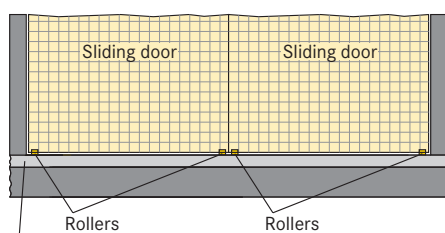
The evenness or flatness of the floor in the bottom floor guide section is required to comply with the DIN 18202, Table 3, line 3, standard requirements.

The bottom floor guides are constituted by plastic rollers, locked down onto floor mounted base plates.

Dowel borehole depth to be approx. 9 cm.

Note: In the event that floor filling needs to be laid into the door section to the purpose of reaching the required floor evenness, the borehole depth needs to be increased by the thickness of the floor fill (for a max of 4 cm).

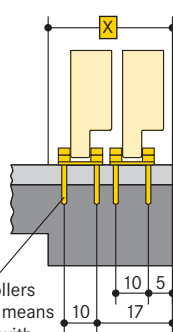
### Front view



Finished floor level compliant to DIN 18353, floor evenness compliant to DIN 18202 table 3, line 3.

Locking down of the rollers onto the base plate by means of an adhesive anchor with an M8 internal screw thread.

### Section



## Sliding door floor guides in above ground garages

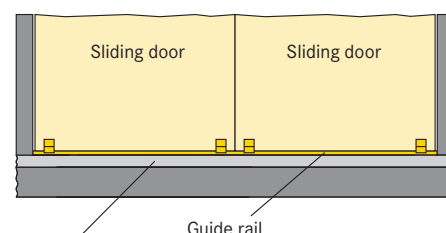
The evenness or flatness of the floor in the bottom floor guide section is required to comply with the DIN 18202, Table 3, line 3, standard requirements.

The bottom floor guides are constituted by guide rails, locked down onto the floor.

Dowel borehole depth to be approx. 8 cm.

Note: In the event that floor filling needs to be laid into the door section to the purpose of reaching the required floor evenness, the borehole depth needs to be increased by the thickness of the floor fill (for a max of 4 cm).

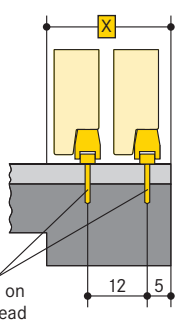
### Front view



Finished floor level compliant to DIN 18353, floor evenness compliant to DIN 18202 table 3, line 3.

Guide rails to be fixed on using S 10 hexagon head wood bolts and plastic expansion dowels.

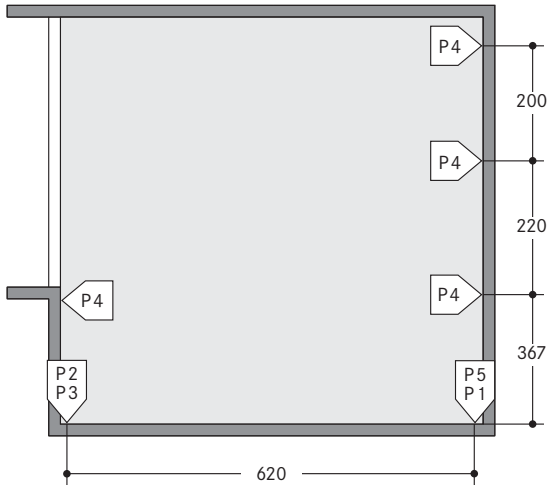
### Section



## Width dimensions and statics

All dimensions shown are minimum. Constructional tolerances must be taken into consideration. All dimensions in cm.

Section



P1 = +85,0 kN <sup>1)</sup>  
 P2 = +70,0 kN  
 P3 = +35,0 kN  
 P4 = ± 5,0 kN  
 P5 = +45,0 kN

<sup>1)</sup> all static loadings include the weight of the car

Bearing loads are transmitted by wall plates with min. 30 cm<sup>2</sup> surface and to the floor by base plates with min. 350 cm<sup>2</sup> surface.  
 Wall and base plates will be fixed by heavy duty anchor bolts to a drilling depth of 10-12cm. When fixing to the waterproof concrete floors chemical anchors are employed (to be advised by WÖHR).

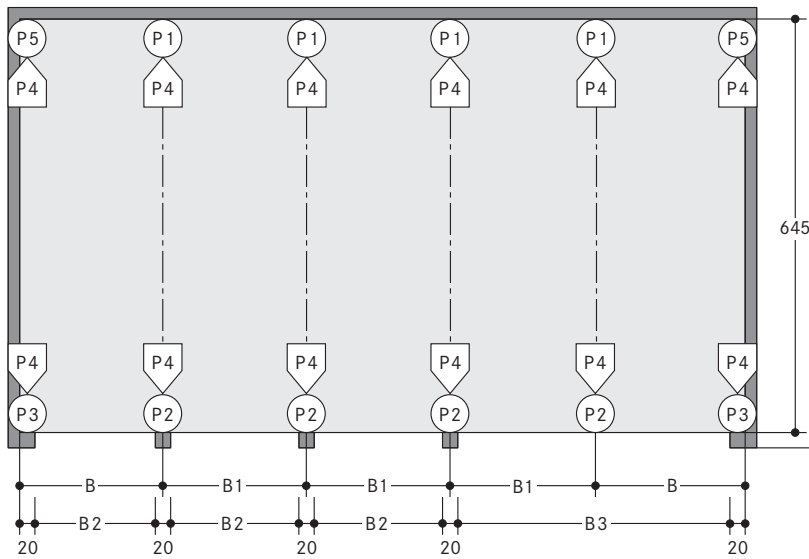
Base plate thickness min. 18 cm. Rear wall and base plate must be formed of concrete and must have a flat surface without protrusions.

Concrete quality according to the static requirements of the building, but for the dowel fastening we require a concrete quality of min. C20/25.

The specified lengths to the support points are mean values. Please contact WÖHR Agent for exact positions for any variations on the standard units.

Please contact WÖHR Agent for clarify the door widths/widths of columns. Grid width of 270 /280/290 cm must be observed.

Ground plan



↑  
 The driving aisle width to be compliant with country regulations locally in force.

B	Space required			gives clear platform width
	B1	B2	B3	
280	270	250	520	250
290	280	260	540	260
300	290	270	560	270

### Notice:

If the width of the pillars is more than 20 cm, than the width of the drive through will be reduced accordingly to the above mentioned width dimensions. In order to avoid this we recommend to extend the measures between the pillars (B2 and B3) accordingly. Please contact WÖHR.

## Hydraulic power packs

The hydraulic power pack is positioned within the system.

## Switch cabinet

The switch cabinet is positioned within the system at the rear wall.

## Electrical data

Connections 230/400 V, 50 Hz, 3 phases. Power consumption max. 5.5 kW. Fuse or circuit breaker 3 x 25 A slow blow (according to DIN VDE 0100 part 430) and supply line 3 Ph + N + PE according to local EVU provisions up to the main switch, and connection of the supply line generally performed by the customer.

Grounding and potential equalisation:  
- to be performed by the customer compliant to DIN EN 60204  
- connections required every 10 metres

## General product information

The entrance level parking place row has one place less than the upper and lower level. This empty space always stays on entrance floor level.  
The platforms at the entrance floor

level are shifted sideways by one space so that the empty space is above the lower level platform to be raised, or below the upper floor platform to be lowered.

## Hotel garage

If used by hotel guests, the installation requires special planning and construction. Please ask for details.

## Noise protection

Basis is the German DIN 4109 "Noise protection in buildings".

With the following conditions required 30 dB (A) in rooms can be provided:

- noise protection package from our accessory
- insulation figure of the construction of min.  $R'_w = 57$  dB
- walls which are bordering the parking systems must be done as single wall and deflection resistant with min.  $m^2 = 300$  kg/m<sup>2</sup>

- solid ceiling above the parking systems with min.  $m^2 = 400$  kg/m<sup>2</sup>

At differing constructional conditions additional sound absorbing measures are to be provided by the customer.

The best results are reached by separated sole plates from the construction.

### Increased noise protection:

If increased noise protection must be provided planning has to be confirmed on a project basis by WÖHR.

## Temperature

The installation is designed to operate between +5° and +40°C. Atmospheric Humidity: 50% at +40°C. If the local circumstances differ from the above please contact WÖHR.

## Conformity test

All our systems are checked according to EC machinery directive 2006/42/EC and EN 14010.

## Illumination

Illumination has to be considered acc. to local requirements by client.

## Numbering of the parking spaces

1. The empty space of the Combilift is always on the left in the entrance level.
2. The numbering is as follows:

UL	1	3	6	9	12
EL		4	7	10	13
LL	2	5	8	11	14

3. The numbering for each system starts with 1 as above.
4. Different numbering of parking spaces is possible at extra cost (software changes are necessary).

## Free spaces

Special drawings for free spaces to accommodate air ducts or other pipes can be requested at WÖHR Agent!

## Railings

If walkways are arranged directly to the side or behind the systems, railings have to be provided by client acc. to local requirements, height min. 200 cm – this is applicable during the construction phase too.

## Drainage

We recommend providing gutter in the pit centre and connecting the gutter either to a gully or a drainage pit 50 x 50 x 20 cm. If the pump sump is not accessible for manual drainage, the client must provide a pump on site to empty the pump sump. Lateral slope only within the gutter.

To prevent hazards for the ground water, we recommend giving the pit floor an oil-resistant coating as a means of protecting the environment.  
If this is to be connected to the sewage system, it is advisable to provide oil and/or petrol separators.

## Maintenance

WÖHR and its foreign partners have an assembly and customer network. Annual maintenance is performed at conclusion of a maintenance contract.

## Protection against corrosion

Independent of a maintenance workings has to be carried out acc. to WÖHR Cleaning and Maintenance Instruction regularly.

Clean up galvanized parts and platforms of dirt and road salt as well as other pollution (corrosion danger)!

Pit must be always ventilated and deaired well.

## Parking place width

We recommend a clear platform width of at least 250 cm.

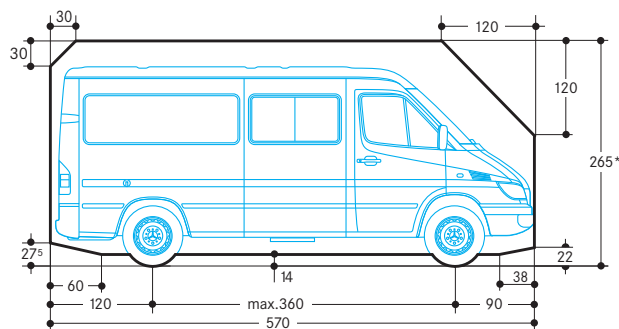
## Dimensions

All dimensions shown are minimum. Construction tolerances must be taken into consideration. All dimensions in cm.

## Fire safety

Each and every fire safety requirement and all possible mandatory item(s) and equipment(s) (fire extinguishing systems and fire alarm systems, etc.) are to be provided by the customer.

## Clearance profile (standard car)



\* The total car height includes roof rail and antenna fixture and must not exceed the mentioned max. height dimension.

## Note

We recommend providing wiring conduits leading to operating panels, particularly in above-ground garages.

The wiring conduits should be placed 120 cm above entrance level in a support in the middle of the area.