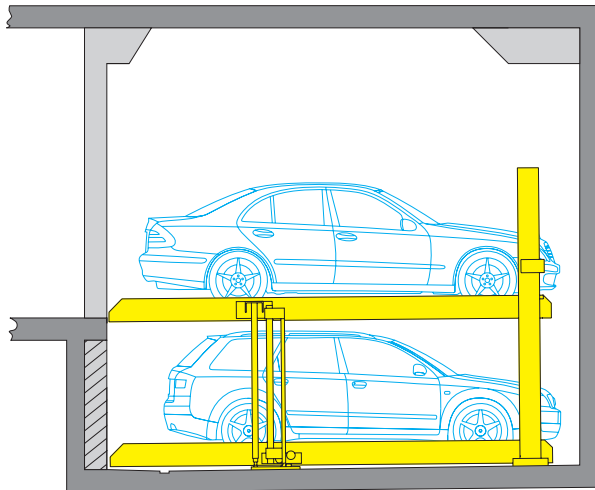
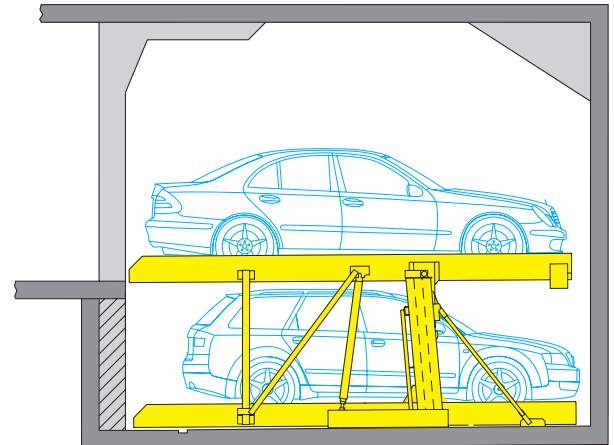


■ Parklift 440 (only upper parking space)



See data sheet Parklift 440 and Parklift 440-2.6 for further information about pit depth and construction requirements.

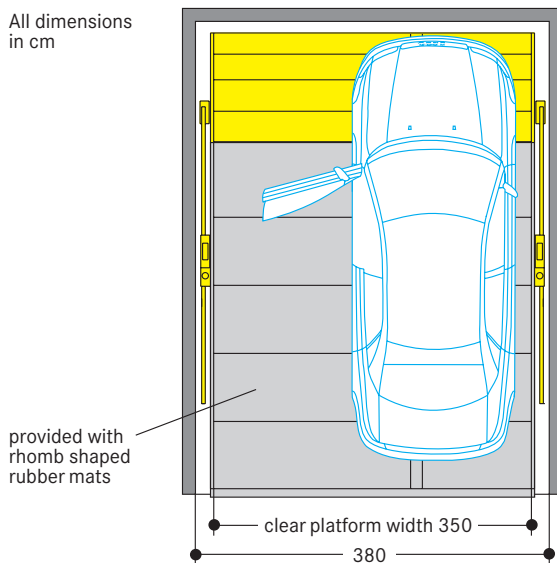
■ Parklift 402 (only upper parking space)



See data sheet Parklift 402 for further information about pit depth and construction requirements.

■ Dimensions and specification of the parking space for the handicapped

All dimensions
in cm



provided with
rhomb shaped
rubber mats

clear platform width 350
380

1. Parking places for the handicapped can be provided with different widths e.g. 3,50 m.
2. Parking places for the handicapped shall be on horizontal and only upper platforms.
3. After using the lower platform the system has to be lowered again. A special switch control solution ensures that the user key can be taken off only after reaching the lower position.
4. In the area of access to the car the platform is covered all over with rhomb shaped rubber mats also closing the gap between pit edge and platform.
5. Other platform widths can be delivered.

