



Data Sheet Wöhr Combilift 543-2,0

Suitable for condominium and office buildings.
For permanent use only!*

* In case of short time user (e.g. for offices, hotels, a.s.o.) technical adjustments are required. Please contact WÖHR!

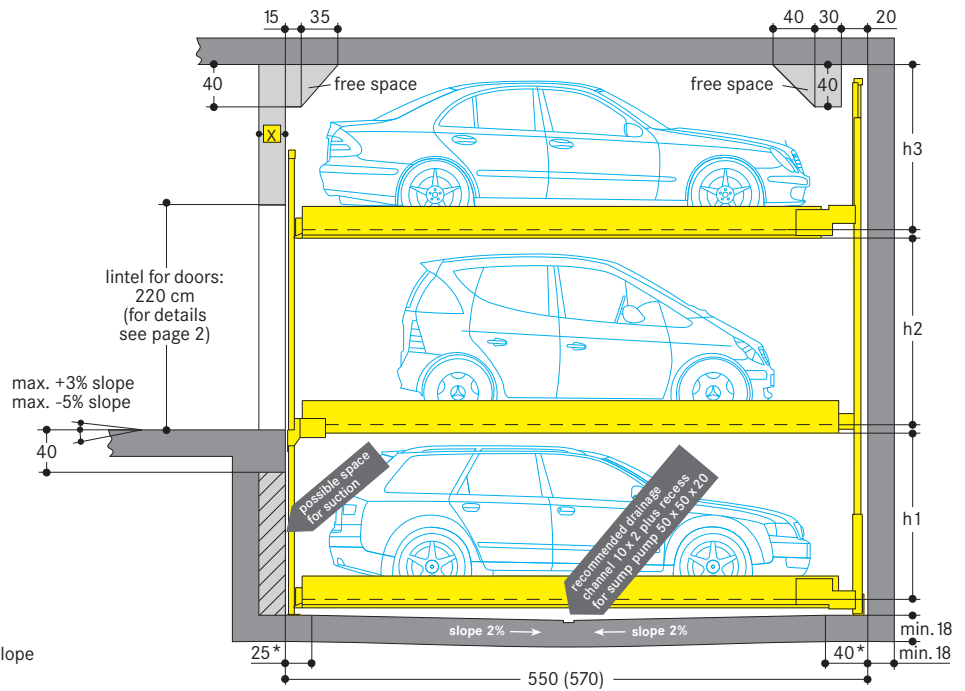
Platforms are in horizontal position to drive on.

Load per platform max. 2000 kg
(load per wheel max. 500 kg)

Special reinforced units for higher platform loadings are available (see 543-2,6).

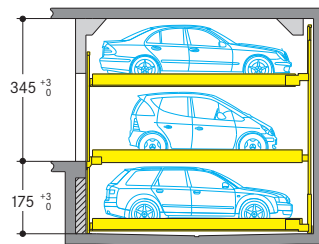
X = Door offset (see page 2 for details)

Dimensions in cm



* in this zone, 0% of downward/upward slope in longitudinal and cross direction

Standard type 543 · 2000 kg



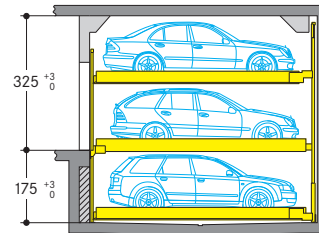
	car height	distance
UL*	saloon/estate cars up to 150 cm	h3 = 155
EL*	saloon/estate cars up to 170 cm	h2 = 175
LL*	saloon/estate cars up to 150 cm	h1 = 155

With the greater h3 height, higher cars can be parked. The car height must not exceed 170 cm.

* UL = upper level, EL = entrance level
LL = lower level

Please attend to restricted car heights on upper and lower platforms!

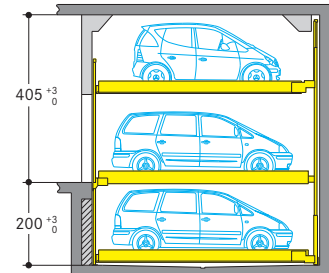
Economic type 543 · 2000 kg



	car height	distance
UL	saloon/estate cars up to 150 cm	h3 = 155
EL	saloon/estate cars up to 150 cm	h2 = 155
LL	saloon/estate cars up to 150 cm	h1 = 155

Please attend to restricted car- and platform distance height!

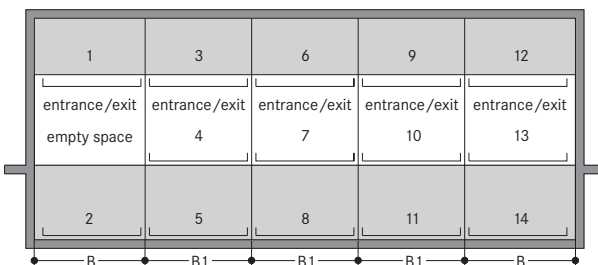
Comfort type 543 · 2000 kg



	car height	distance
UL	saloon/estate cars up to 175 cm	h3 = 180
EL	saloon cars and vans up to 205 cm and max. 2000 kg	h2 = 210
LL	saloon/estate cars up to 175 cm	h1 = 180

With the greater h3 height, higher cars can be parked. The car height must not exceed 205 cm.

Width dimensions



Space required	gives clear platform width	
B	B1	
260	250	230
270	260	240
280	270	250
290	280	260
300	290	270

One entry/exit is required on entrance level for each grid.

Notes

- Pits must always be protected by a sliding shutterdoor (even in underground garages).
- Arrangements start with 2 grids for 5 cars, 3 grids for 8 cars.
- Car length max. 500 cm with an installation length of 540 cm, car width 190 cm. In case of special platform widths narrower than 230 cm respectively, the maximum vehicle width is reduced accordingly.
- For very large cars an installation length of 570 cm is recommended. This length offers larger safety distances for potential future developments or projects with short term parkers such as hotels or similar.
- It is not possible to have channels or undercuts and/or concrete haunches along the pit floor-to-wall joints. In the event that channels or undercuts are necessary, the system width needs to be reduced or the pit needs to be wider.
- The manufacturer reserves the right to modify or alter above specifications.

Combilift 543-2,0 | 09.2011 | C027-5182 | © Otto Wöhr GmbH



Doors

According EN 14010, the Comblift 543 must be closed with shutterdoors. The door controls are integrated in the overall system. That means:

- The doors are electro-mechanically interlocked
- The doors can only be opened when the selected parking place has reached the entry/exit position
- Any pits are closed in the entrance area

Local requirements for electrical doors in respect to technology, maintenance, revision are not subject of our supply, which are according to European standard

Door types:

Manually operated sliding shutterdoors

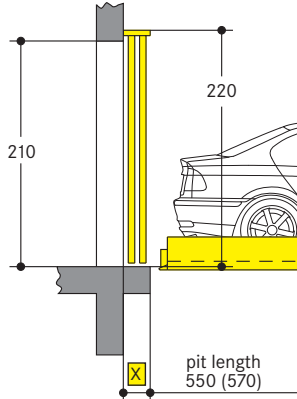
- for underground garages in galvanised steel
- above ground with powder coated metal sheets (RAL 7030)

Alternatively, sliding shutterdoors may be supplied with electrical drive.

Installation:

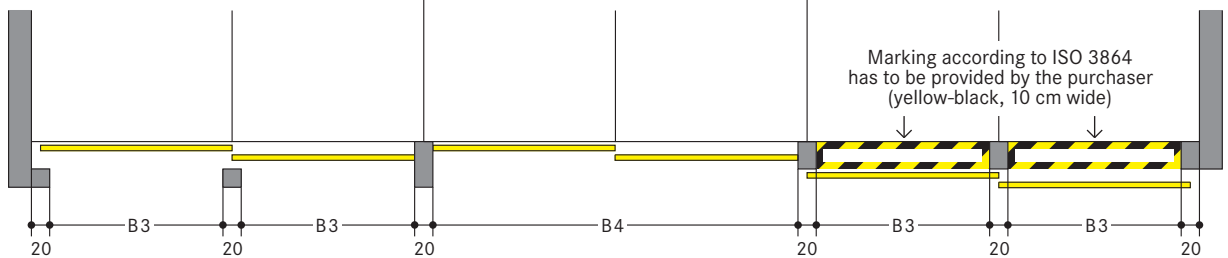
Behind the building pillars with door offset

Section



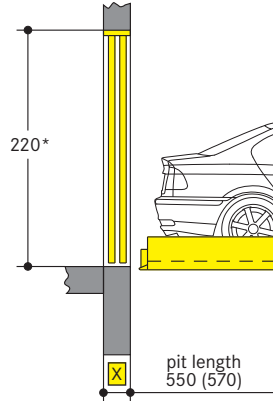
- X = 25 cm for manually operated sliding shutterdoors
- X = 35 cm for automatic shutterdoors

Ground plan



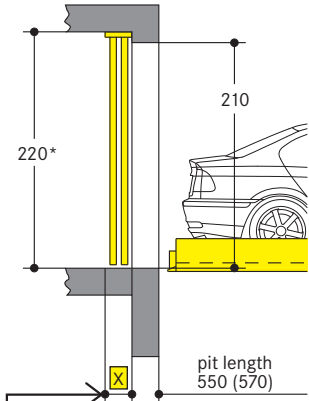
Installation:

Below the lintel between the building pillars



Installation:

In front of the building pillars



* The lintel of 220 cm is absolutely necessary. If differing heights additional fixings are required at additional charge. If no lintel is provided, the gates need to be fitted onto a steel frame (subject to surcharges).

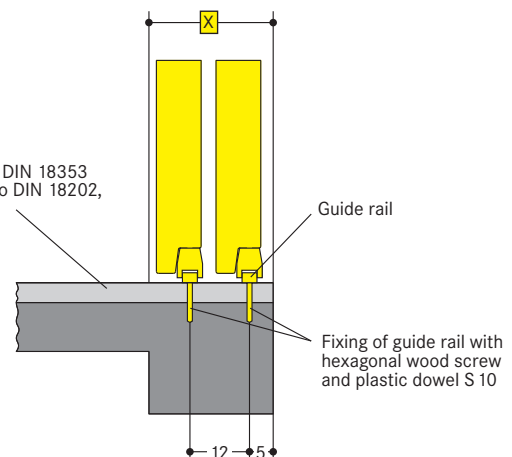
Space required		Gives clear platform width
B3	B4	
230	480	230
240	500	240
250	520	250
260	540	260
270	560	270

Floor guide for sliding shutterdoors

Floor levelness in door guide range must be conformity with DIN 18202, table 3, line 3.

Hole depth for dowels approx. 8 cm.
Remark: When screed is applied in the door area to obtain floor levelness, the hole depth should be increased by screed thickness (max. 40 mm).

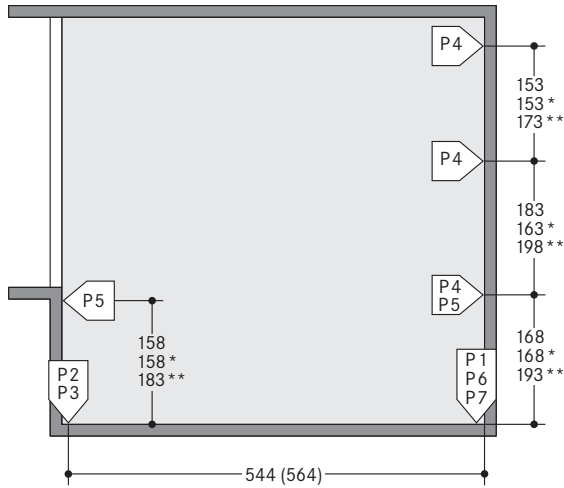
Finished floor acc. to DIN 18353
Floor levelness acc. to DIN 18202, table 3, line 3



Width dimensions and statics

All dimensions shown are minimum. Constructional tolerances must be taken into consideration. All dimensions in cm.

Section



() dimensions in brackets for longer units

* dimensions for economic type

** dimensions for comfort type

P1 = +70,0 kN ¹⁾

P2 = +49,0 kN

P3 = +25,0 kN

P4 = ± 5,0 kN

P5 = ± 2,5 kN

P6 = ±30,0 kN

P7 = ±15,0 kN

¹⁾ all static loadings include the weight of the car

Bearing loads are transmitted by wall plates with min. 30 cm² surface and to the floor by base plates with min. 350 cm² surface.

Wall and base plates will be fixed by heavy duty anchor bolts to a drilling depth of 10-12cm. When fixing to the waterproof concrete floors chemical anchors are employed (to be advised by Wöhr).

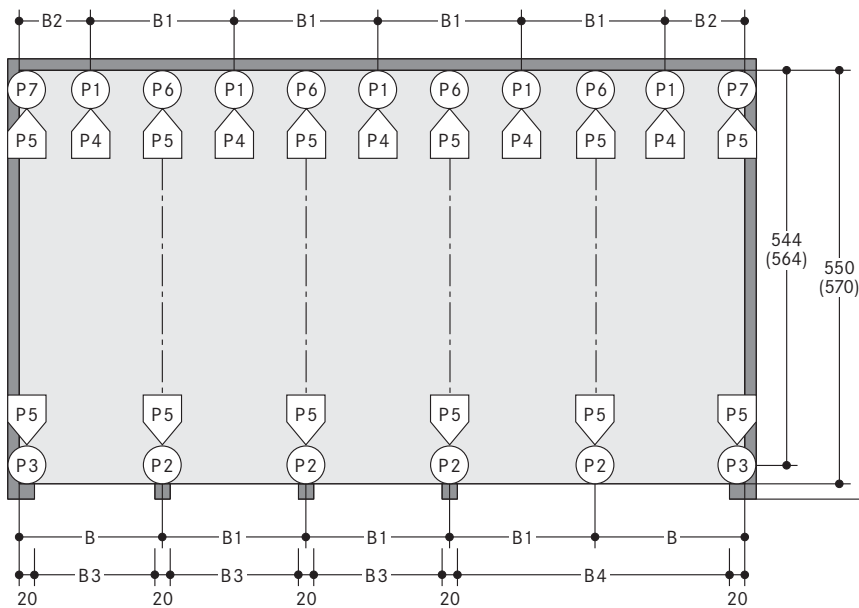
Base plate thickness min. 18 cm. Rear wall and base plate must be formed of concrete and must have a flat surface without protrusions.

Concrete quality according to the static requirements of the building, but for the dowel fastening we require a concrete quality of min. C20/25.

The specified lengths to the support points are mean values. Please contact Wöhr Agent for exact positions for any variations on the standard units.

Please contact Wöhr Agent for clarify the door widths/widths of columns. Grid width of 250/260/270/280/290 cm must be observed.

Ground plan



B	Space required				gives clear platform width
	B1	B2	B3	B4	
260	250	135	230	480	230
270	260	140	240	500	240
280	270	145	250	520	250
290	280	150	260	540	260
300	290	155	270	560	270

Minimum driveway width according to local requirements

Notice:

If the width of the pillars is more than 20 cm, than the width of the drive through will be reduced accordingly to the above mentioned width dimensions. In order to avoid this we recommend to extend the measures between the pillars (B3 and B4) accordingly. Please contact WÖHR.

