



Data Sheet Wöhr Combilift 542-2,6

Suitable for condominium and office buildings.
For permanent use only!*

* In case of short time user (e.g. for offices, hotels, a.s.o.) technical adjustments are required. Please contact WÖHR!

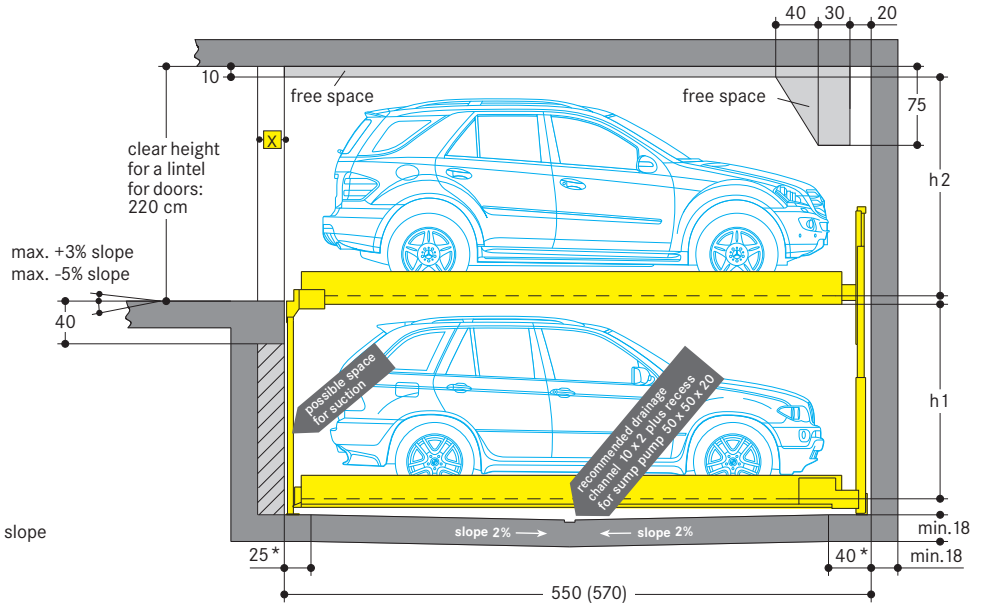
Platforms are in horizontal position to drive on.

Load per platform max. 2600 kg
(load per wheel max. 650 kg)

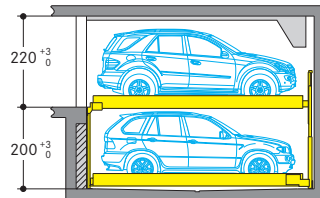
X = to be clarified with door supplier.

Dimensions in cm

* in this zone, 0% of downward/upward slope in longitudinal and cross direction



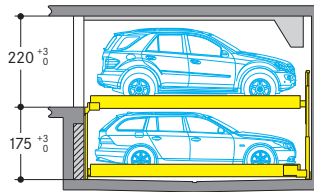
Standard type 542 · 2600 kg



	car height	distance
EL*	Cars/Vans/SUV up to 200 cm	h2 = 205
LL*	Cars/Vans/SUV up to 175 cm	h1 = 180

* EL = entrance level, LL = lower level

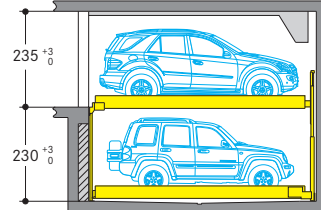
Economic type 542 · 2600 kg



	car height	distance
EL	Cars/Vans/SUV up to 200 cm	h2 = 205
LL	Cars/Vans/SUV up to 150 cm	h1 = 155

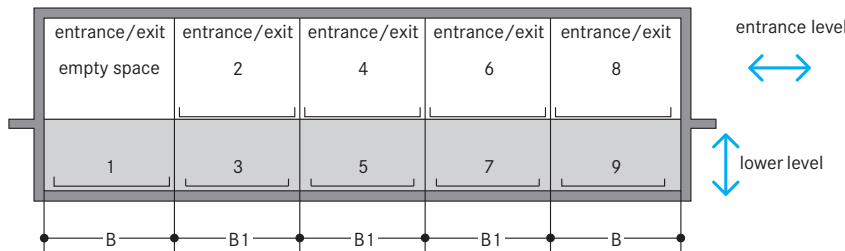
Please attend to restricted car heights on lower platforms!

Comfort type 542 · 2600 kg



	car height	distance
EL	Cars/Vans/SUV up to 205 cm	h2 = 210
LL	Cars/Vans/SUV up to 205 cm	h1 = 210

Width dimensions



Space required	gives clear platform width
B B1	
280 270	250
290 280	260
300 290	270

One entry/exit is required on entrance level for each grid.

Notes

- Pits must always be protected by a sliding shutterdoor (even in underground garages).
- Arrangements start with 2 grids for 3 cars, 3 grids for 5 cars.
- Car length max. 500 cm with an installation length of 540 cm, car width 200 cm. In case of special platform widths narrower than 250 cm respectively, the maximum vehicle width is reduced accordingly.
- For very large cars an installation length of 570 cm is recommended. This length offers larger safety distances for potential future developments or projects with short term parkers such as hotels or similar.
- It is not possible to have channels or undercuts and/or concrete haunches along the pit floor-to-wall joints. In the event that channels or undercuts are necessary, the system width needs to be reduced or the pit needs to be wider.
- The manufacturer reserves the right to modify or alter above specifications.



Doors

According EN 14010, the Comblift 542 must be closed with shutterdoors. The door controls are integrated in the overall system. That means:

- The doors are electro-mechanically interlocked
- The doors can only be opened when the selected parking place has reached the entry/exit position
- Any pits are closed in the entrance area

Local requirements for electrical doors in respect to technology, maintenance, revision are not subject of our supply, which are according to European standard

Door types:

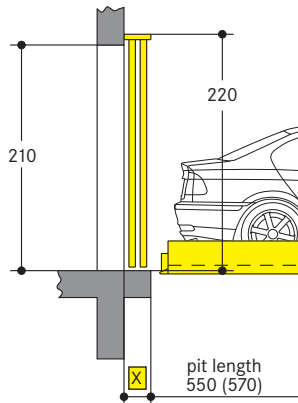
Manually operated sliding shutterdoors

- for underground garages in galvanised steel
- above ground with powder coated metal sheets (RAL 7030)

Alternatively, sliding shutterdoors may be supplied with electrical drive.

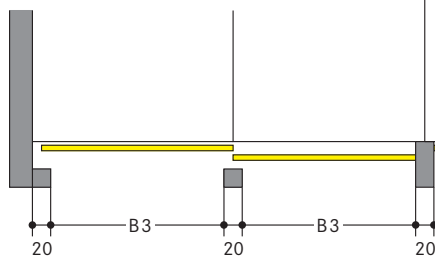
Installation:
Behind the building pillars
with door offset

Section

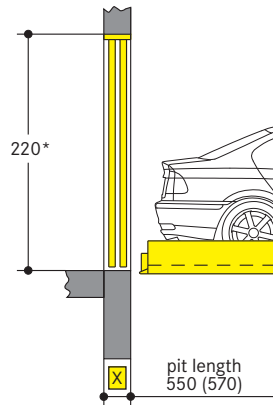


- X = 25 cm for manually operated sliding shutterdoors
- X = 35 cm for automatic shutterdoors

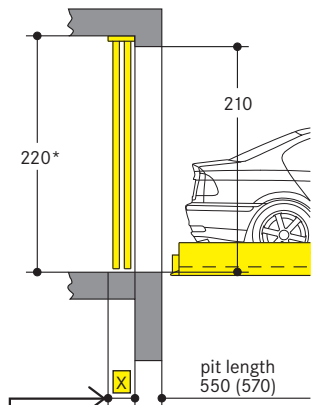
Ground plan



Installation:
Below the lintel between
the building pillars

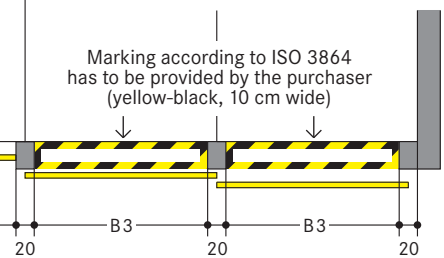


Installation:
In front of the
building pillars



With installation in front of the pillars, the driving aisle is measured from the door.

Marking according to ISO 3864 has to be provided by the purchaser (yellow-black, 10 cm wide)



* The lintel of 220 cm is absolutely necessary. If differing heights additional fixings are required at additional charge. If no lintel is provided, the gates need to be fitted onto a steel frame (subject to surcharges).

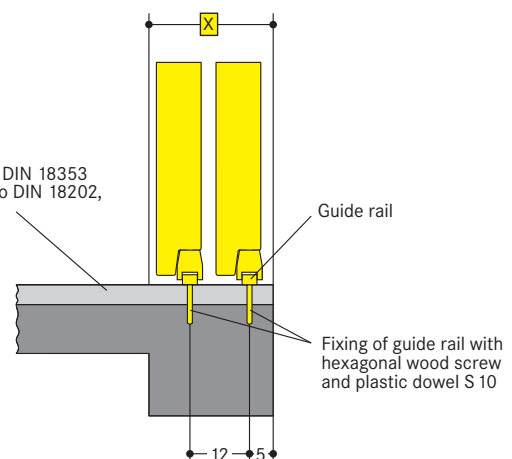
Space required		Gives clear platform width
B3	B4	
250	520	250
260	540	260
270	560	270

Floor guide for sliding shutterdoors

Floor levelness in door guide range must be conformity with DIN 18202, table 3, line 3.

Hole depth for dowels approx. 8 cm.
Remark: When screed is applied in the door area to obtain floor levelness, the hole depth should be increased by screed thickness (max. 40 mm).

Finished floor acc. to DIN 18353
Floor levelness acc. to DIN 18202, table 3, line 3



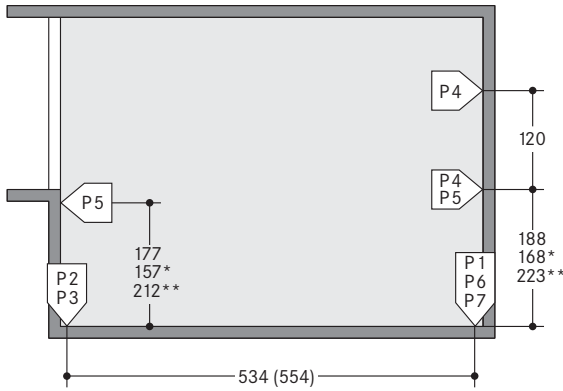
Guide rail

Fixing of guide rail with hexagonal wood screw and plastic dowel S 10

Width dimensions and statics

All dimensions shown are minimum. Constructional tolerances must be taken into consideration. All dimensions in cm.

Section



() dimensions in brackets for longer units
 * dimensions for economic type
 ** dimensions for comfort type

P1 = +41,0 kN¹⁾
 P2 = +46,0 kN
 P3 = +24,0 kN
 P4 = ± 5,0 kN
 P5 = ± 2,5 kN
 P6 = ± 6,0 kN
 P7 = ± 3,0 kN

¹⁾ all static loadings include the weight of the car

Bearing loads are transmitted by wall plates with min. 30 cm² surface and to the floor by base plates with min. 350 cm² surface.

Wall and base plates will be fixed by heavy duty anchor bolts to a drilling depth of 10-12cm. When fixing to the waterproof concrete floors chemical anchors are employed (to be advised by Wöhr).

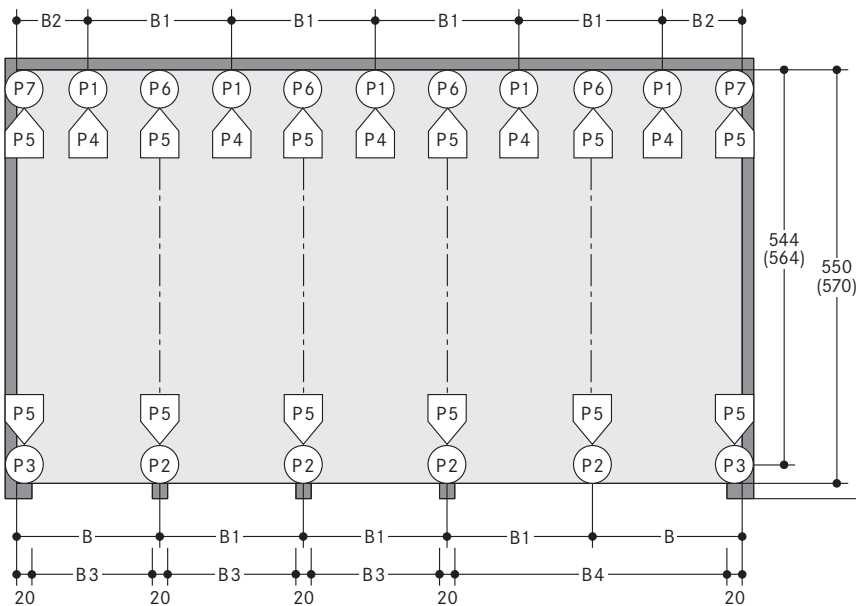
Base plate thickness min. 18 cm. Rear wall and base plate must be formed of concrete and must have a flat surface without protrusions.

Concrete quality according to the static requirements of the building, but for the dowel fastening we require a concrete quality of min. C20/25.

The specified lengths to the support points are mean values. Please contact Wöhr Agent for exact positions for any variations on the standard units.

Please contact Wöhr Agent for clarify the door widths/widths of columns. Grid width of 270 /280/290 cm must be observed.

Ground plan



B	Space required				gives clear platform width
	B1	B2	B3	B4	
280	270	145	250	520	250
290	280	150	260	540	260
300	290	155	270	560	270

Minimum driveway width according to local requirements

Notice:

If the width of the pillars is more than 20 cm, than the width of the drive through will be reduced accordingly to the above mentioned width dimensions. In order to avoid this we recommend to extend the measures between the pillars (B3 and B4) accordingly. Please contact WÖHR.

