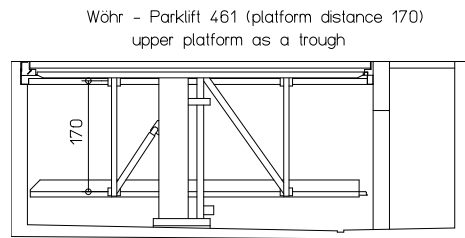
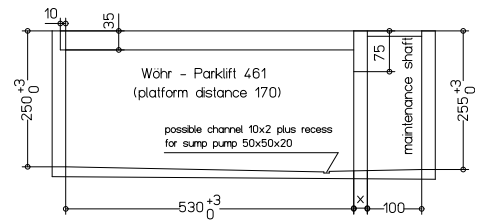


CAD files Parklift 461

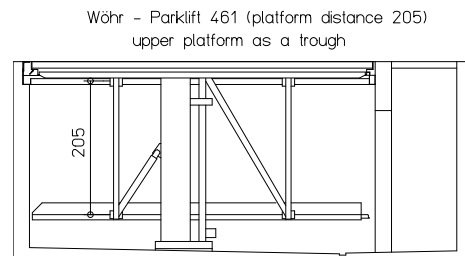
File name: 461-170_trough_en
Section Parklift 461-170



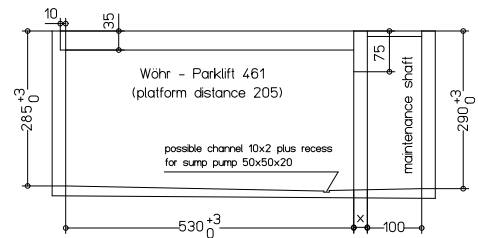
File name: 461-170_planning_en
Section for planning Parklift 461-170



File name: 461-205_trough_en
Section Parklift 461-205



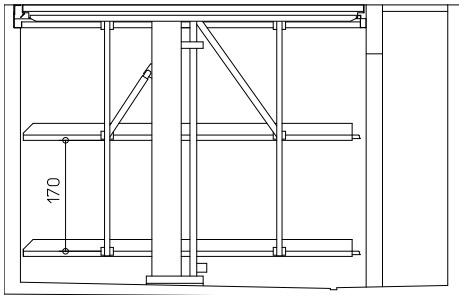
File name: 461-205_planning_en
Section for planning Parklift 461-205



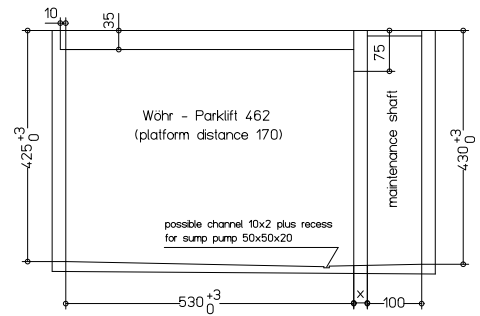
CAD files Parklift 462

File name: 462-170_trough_en
Section Parklift 462-170

Wöhr - Parklift 462 (platform distance 170)
upper platform as a trough

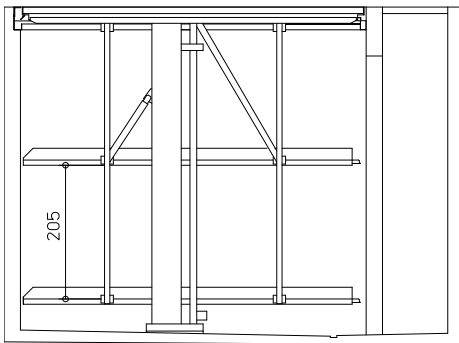


File name: 462-170_planning_en
Section for planning Parklift 462-170

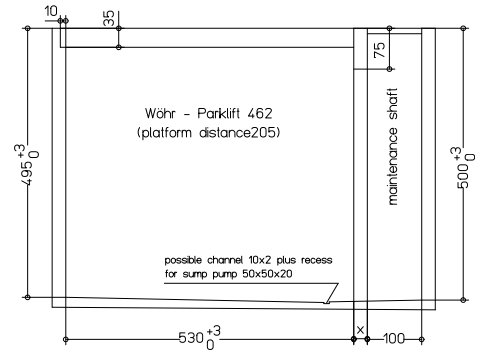


File name: 462-205_trough_en
Section Parklift 462-205

Wöhr - Parklift 462 (platform distance 205)
upper platform as a trough



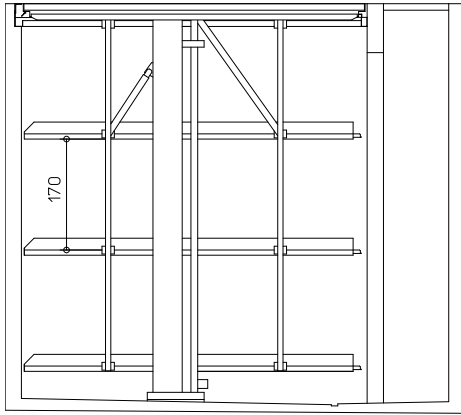
File name: 462-205_planning_en
Section for planning Parklift 462-205



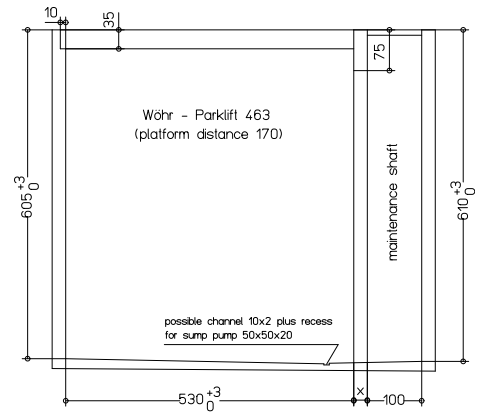
CAD files Parklift 463

File name: 463-170_trough_en
Section Parklift 463-170

Wöhr - Parklift 463 (platform distance 170)
upper platform as a trough



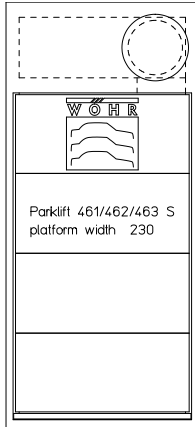
File name: 463-170_planning_en
Section for planning Parklift 463-170



■ CAD files Parklift 461 462 463

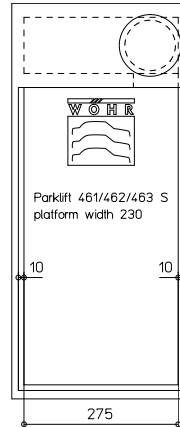
File name: DS-46x-S-230_en

Topview single unit | Platform width 230



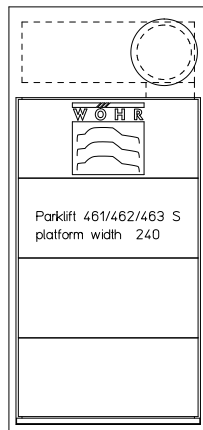
File name: DS-46x-S-230_planning_en

Topview for planning single unit | Platform width 230



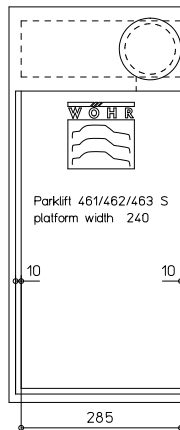
File name: DS-46x-S-240en

Topview single unit | Platform width 240



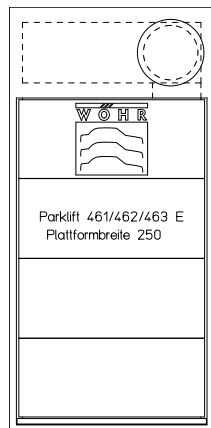
File name: DS-46x-S-240_planning_en

Topview for planning single unit | Platform width 240



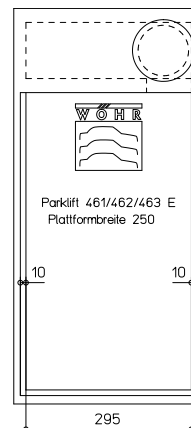
File name: DS-46x-S-250en

Topview single unit | Platform width 250



File name: DS-46x-S-250_planning_en

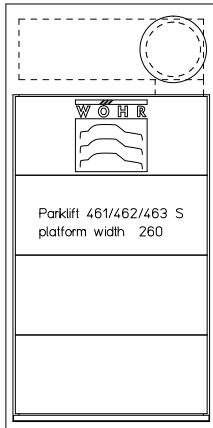
Topview for planning single unit | Platform width 250



■ CAD files Parklift 461 462 463

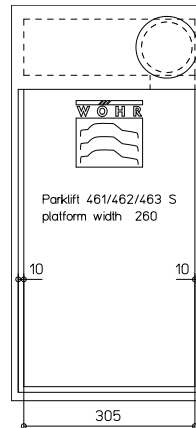
File name: DS-46x-S-260en

Topview single unit | Platform width 260



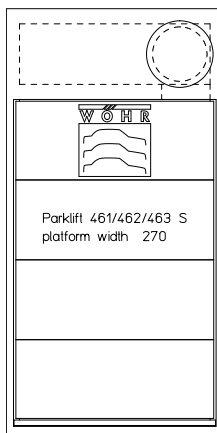
File name: DS-46x-S-260_planning_en

Topview for planning single unit | Platform width 260



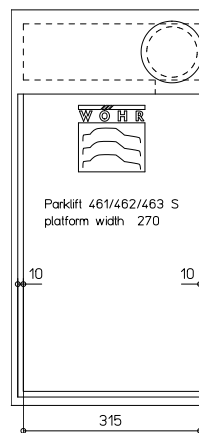
File name: DS-46x-S-270en

Topview single unit | Platform width 270



File name: DS-46x-S-270_planning_en

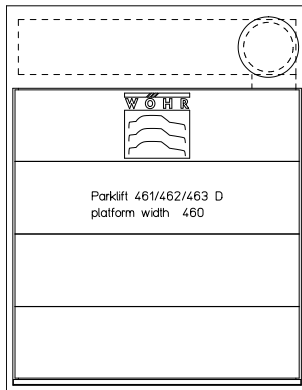
Topview for planning single unit | Platform width 270



■ CAD files Parklift 461 462 463

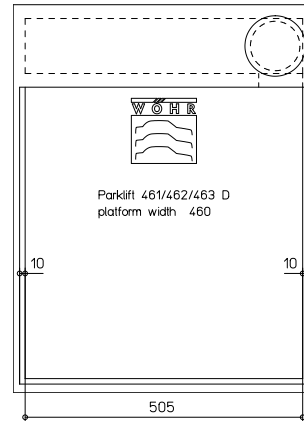
File name: DS-46x-D-460_en

Topview double unit | Platform width 460



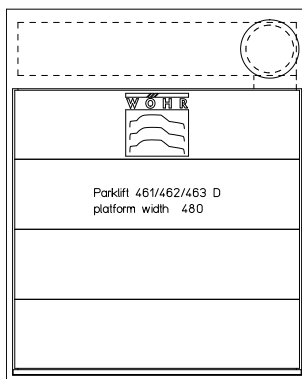
File name: DS-46x-D-460_planning_en

Topview for planning double unit | Platform width 460



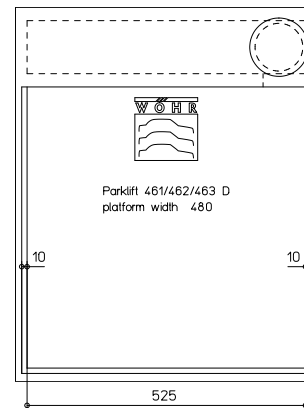
File name: DS-46x-D-480_en

Topview double unit | Platform width 480



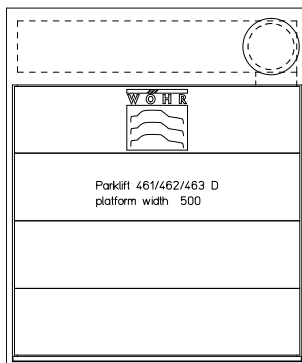
File name: DS-46x-D-480_planning_en

Topview for planning double unit | Platform width 480



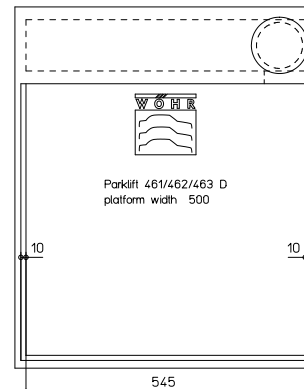
File name: DS-46x-D-500_en

Topview double unit | Platform width 500



File name: DS-46x-D-500_planning_en

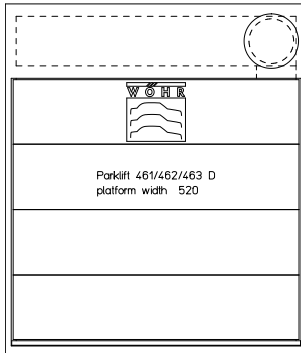
Topview for planning double unit | Platform width 500



■ CAD files Parklift 461 462 463

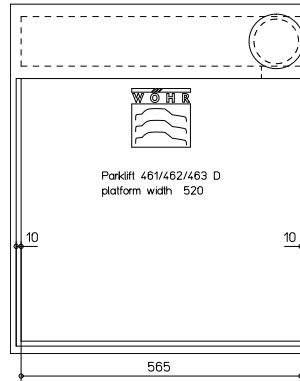
File name: DS-46x-D-520_en

Topview double unit | Platform width 520



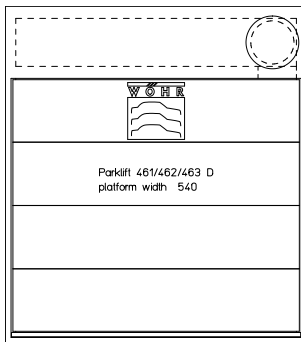
File name: DS-46x-D-520_planning_en

Topview for planning double unit | Platform width 520



File name: DS-46x-D-540_en

Topview double unit | Platform width 540



File name: DS-46x-D-540_planning_en

Topview for planning double unit | Platform width 540

