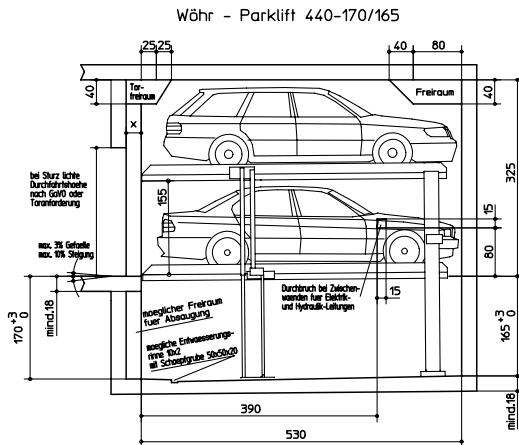


CAD files Parklift 440

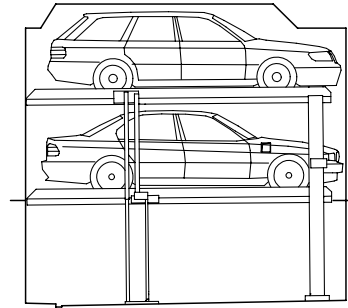
File name: 440-170_en

Section Parklift 440-170 (height 325)



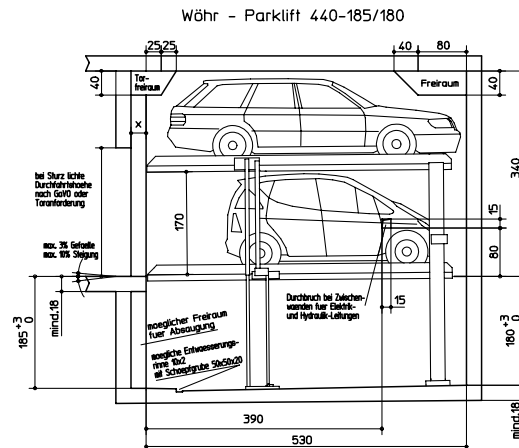
File name: 440-170_planning_en

Section for planning Parklift 440-170 (height 325)



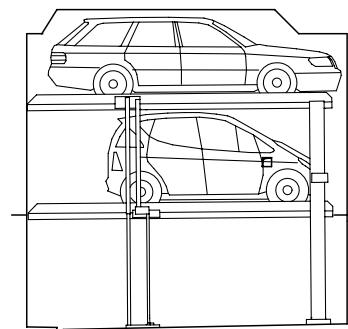
File name: 440-185_en

Section Parklift 440-185 (height 340)



File name: 440-185_planning_en

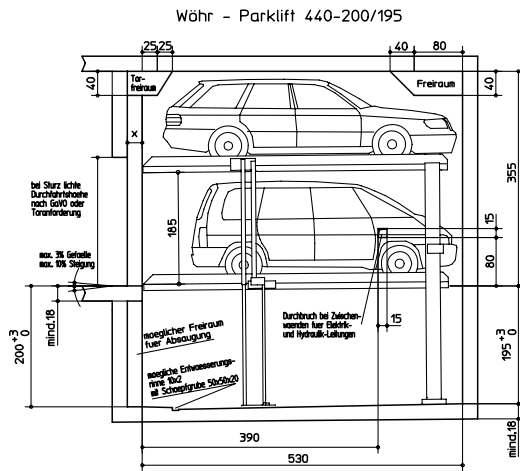
Section for planning Parklift 440-185 (height 340)



CAD files Parklift 440-2,0

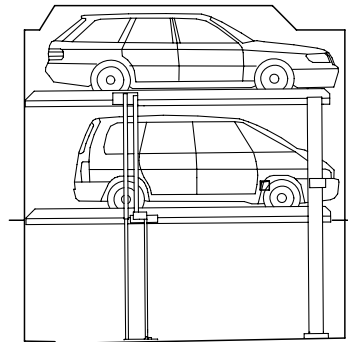
File name: 440-200_en

Section Parklift 440-200 (height 355)



File name: 440-200_planning_en

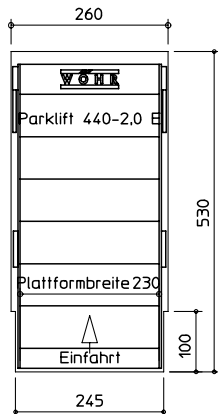
Section for planning Parklift 440-200 (height 355)



■ CAD files Parklift 440-2,0

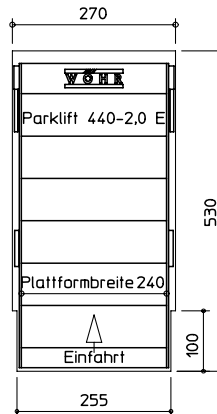
File name: DS-440-S-230_en

Topview single unit | Platform width 230



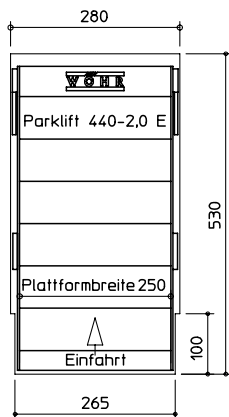
File name: DS-440-S-240_en

Topview single unit | Platform width 240



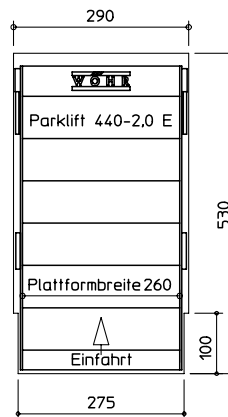
File name: DS-440-S-250_en

Topview single unit | Platform width 250



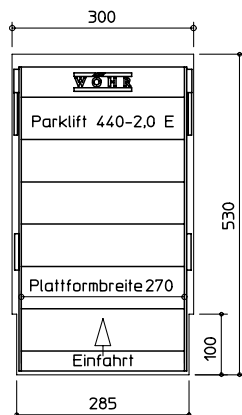
File name: DS-440-S-260_en

Topview single unit | Platform width 260



File name: DS-440-S-270_en

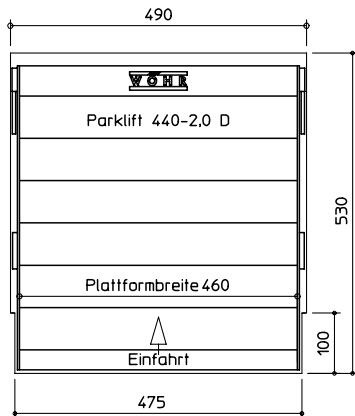
Topview single unit | Platform width 270



CAD files Parklift 440-2,0

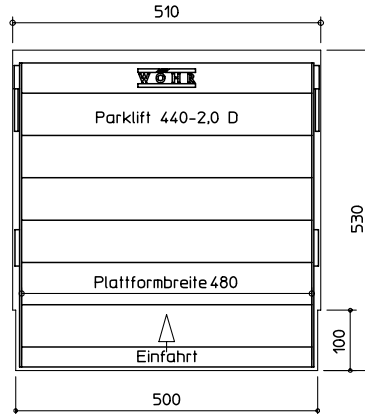
File name: DS-440-D-460

Topview double unit | Platform width 460



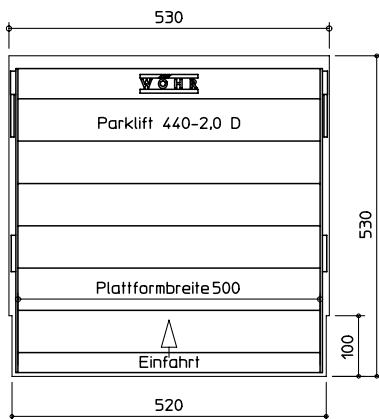
File name: DS-440-D-480

Topview double unit | Platform width 480



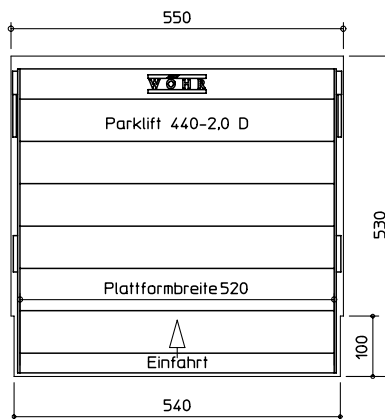
File name: DS-440-D-500_en

Topview double unit | Platform width 500



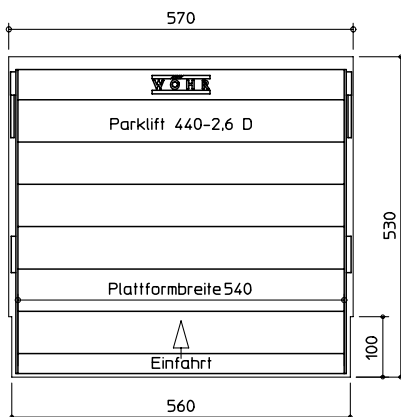
File name: DS-440-D-520_en

Topview double unit | Platform width 520



File name: DS-440-D-540_en

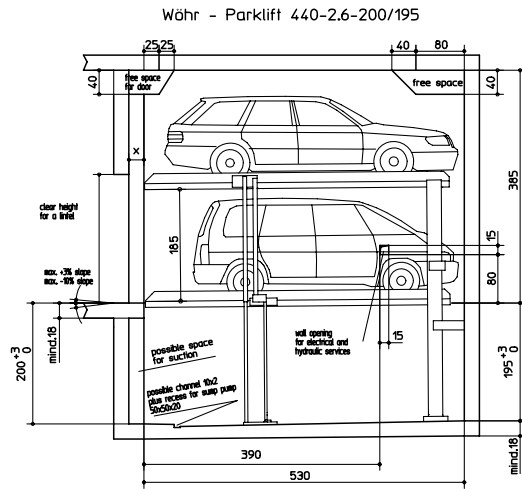
Topview double unit | Platform width 540



CAD files Parklift 440-2,6

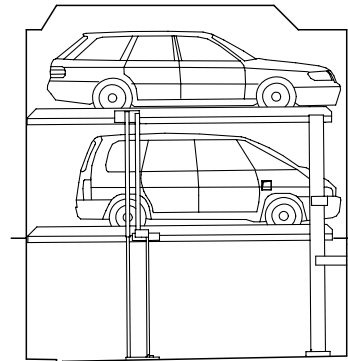
File name: 440-26-200_en

Section Parklift 440-2,6-200 (height 385)



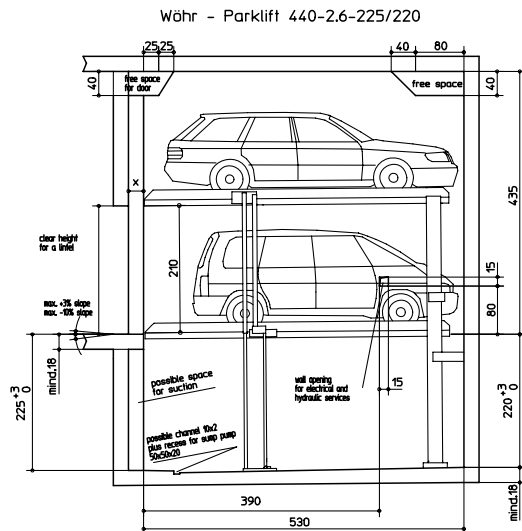
File name: 440-26-200_planning_en

Section for planning Parklift 440-2,6-200 (height 385)



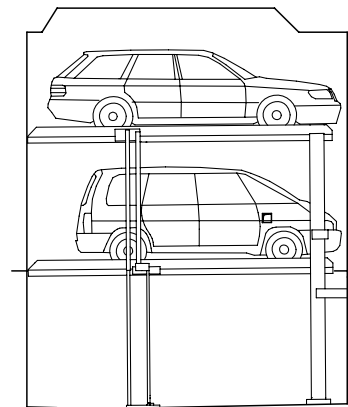
File name: 440-26-225_en

Section Parklift 440-2,6-225 (height 435)



File name: 440-26-225_planning_en

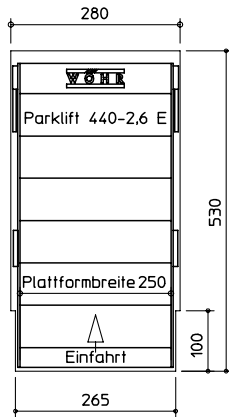
Section for planning Parklift 440-2,6-225 (height 435)



■ CAD files Parklift 440-2,6

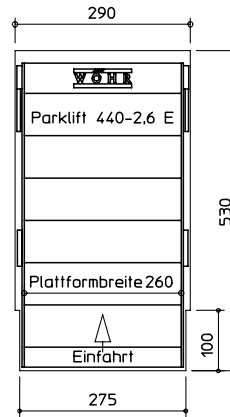
File name: DS-440-26-S-250_en

Topview single unit | Platform width 250



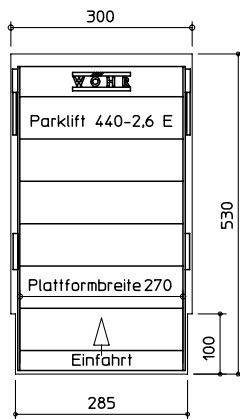
File name: DS-440-26-S-260_en

Topview single unit | Platform width 260



File name: DS-440-26-S-270_en

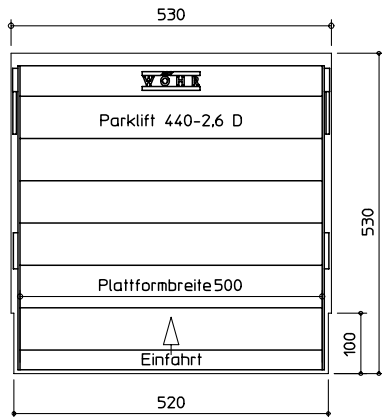
Topview single unit | Platform width 270



■ CAD files Parklift 440-2,6

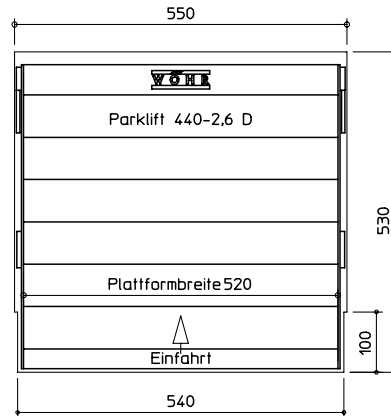
File name: DS-440-26-D-500_en

Topview double unit | Plattform width 500



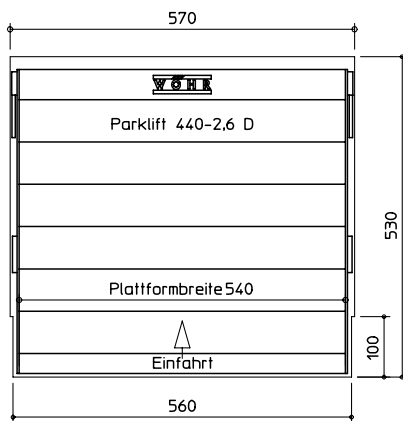
File name: DS-440-26-D-520_en

Topview double unit | Plattform width 520



File name: DS-440-26-D-540_en

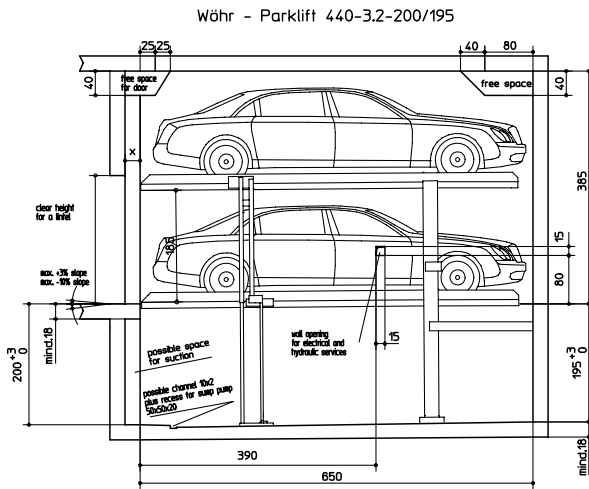
Topview double unit | Plattform width 540



CAD files Parklift 440-3,2

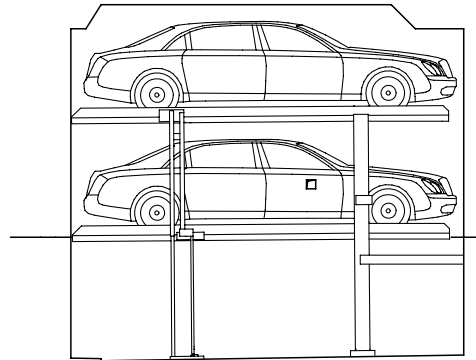
File name: 440-32-200_en

Section Parklift 440-3,2-200 (height 385)



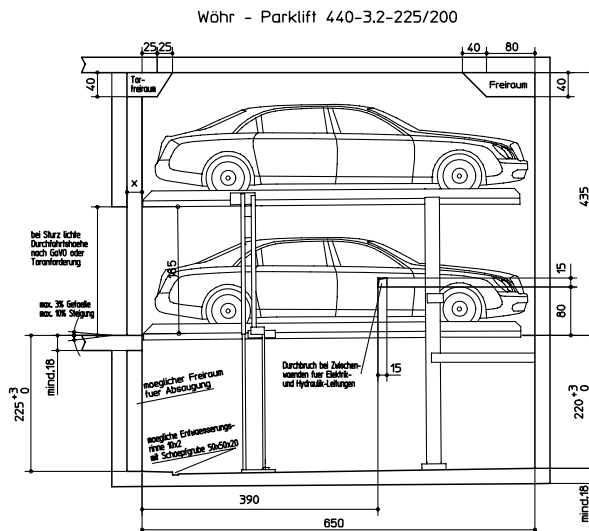
File name: 440-32-200_planning_en

Section for planning Parklift 440-3,2-200 (height 385)



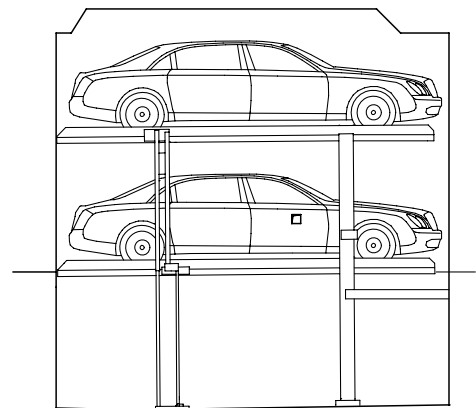
File name: 440-32-225_en

Section Parklift 440-3,2-225 (height 435)



File name: 440-32-225_planning_en

Section for planning Parklift 440-3,2-225 (height 435)



■ CAD files Parklift 440-3,2

File name: DS-440-32-S-270_en

Topview single unit | Plattform width 270

