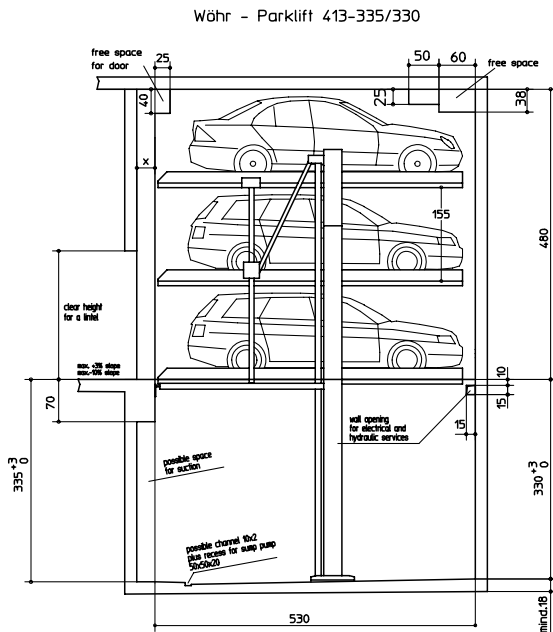


## CAD files Parklift 413

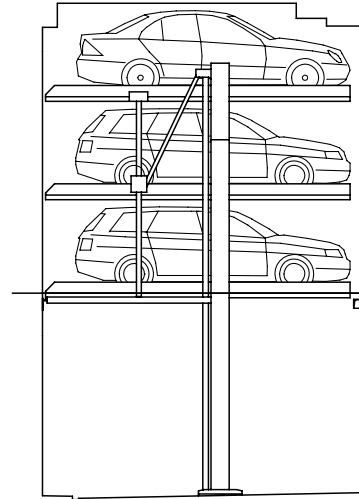
File name: 413-12-335\_en

Section Parklift 413/335 (height 480)



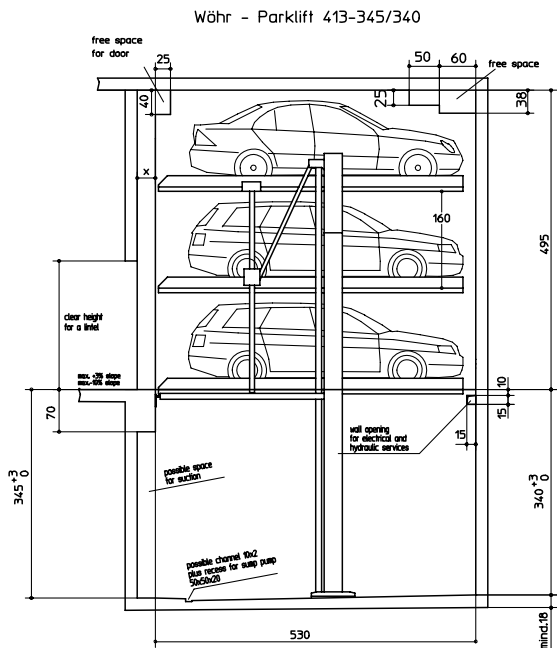
File name: 413-12-335\_planning\_en

Section for planning Parklift 413/335 (height 480)



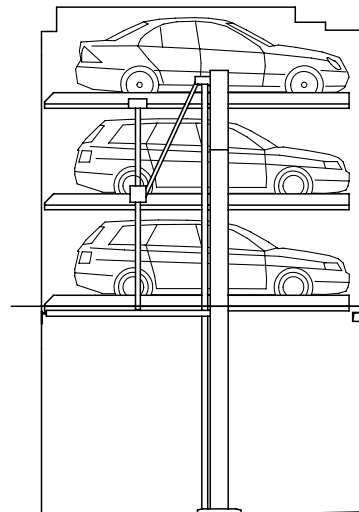
File name: 413-12-345\_en

Section Parklift 413/345 (height 495)



File name: 413-12-345\_planning\_en

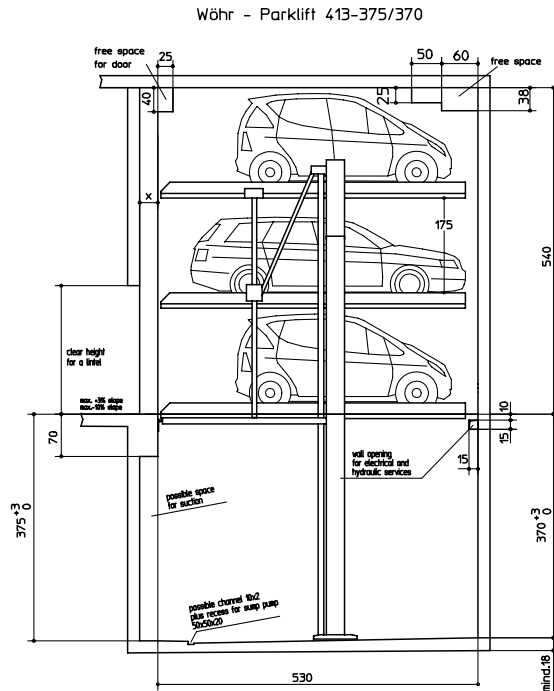
Section for planning Parklift 413/345 (height 495)



## CAD files Parklift 413

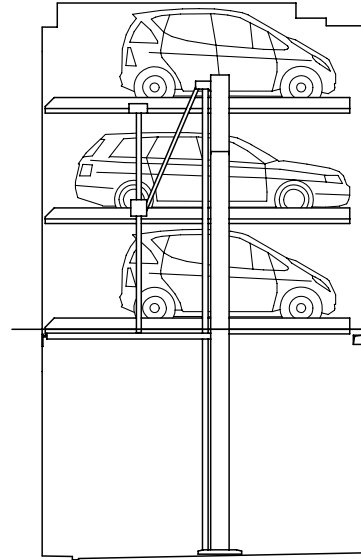
File name: 413-12-375\_en

Section Parklift 413/375 (height 540)



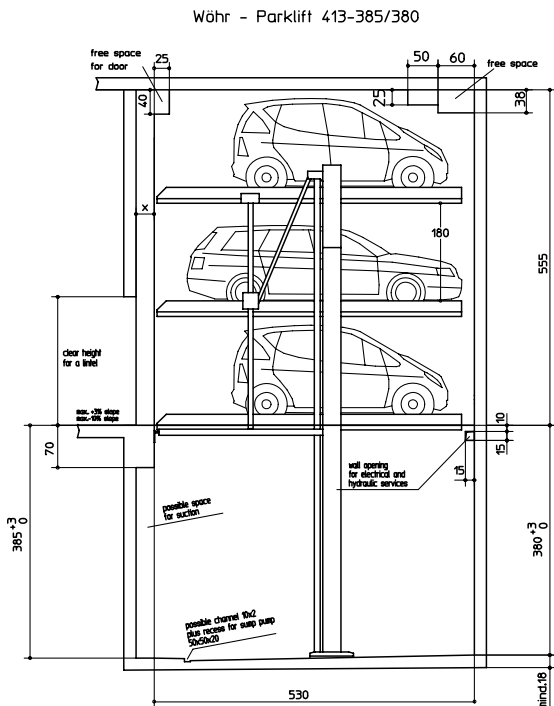
File name: 413-12-375\_planning\_en

Section for planning Parklift 413/375 (height 540)



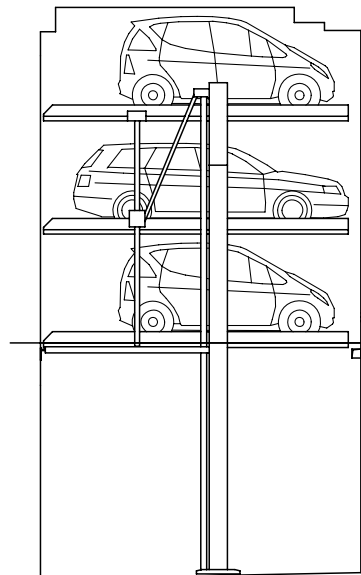
File name: 413-12-385\_en

Section Parklift 413/385 (height 555)



File name: 413-12-385\_planning\_en

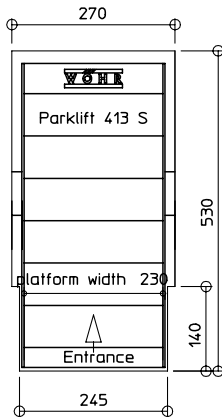
Section for planning Parklift 413/385 (height 555)



## ■ CAD files Parklift 413

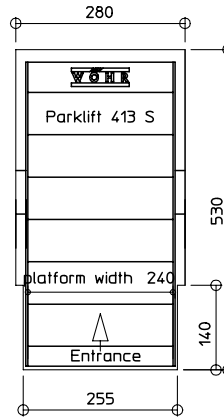
**File name: DS-413-S-230\_en**

Topview single unit | Platform width 230



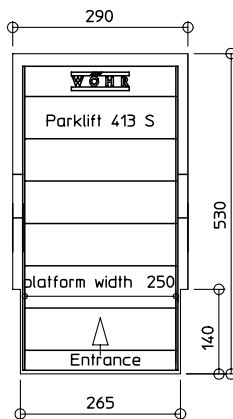
**File name: DS-413-S-240\_en**

Topview single unit | Platform width 240



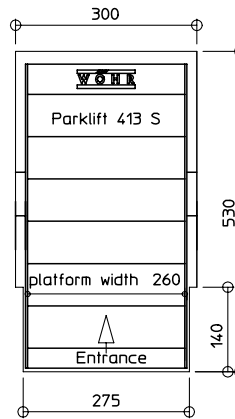
**File name: DS-413-S-250\_en**

Topview single unit | Platform width 250



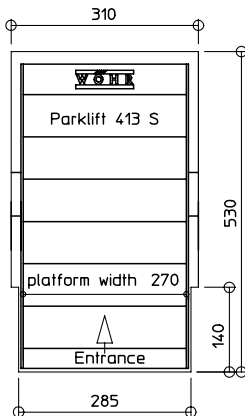
**File name: DS-413-S-260\_en**

Topview single unit | Platform width 260



**File name: DS-413-S-270\_en**

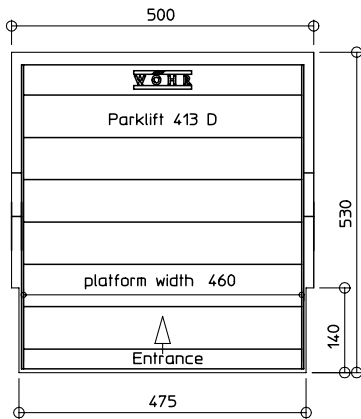
Topview single unit | Platform width 270



## ■ CAD files Parklift 413

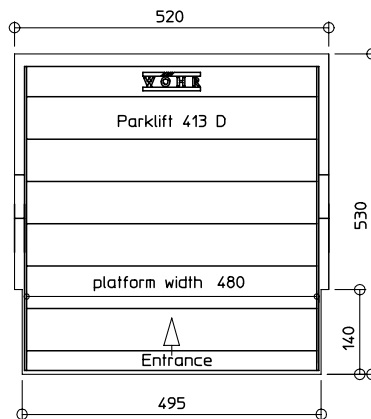
**File name: DS-413-D-460\_en**

Topview double unit | Platform width 460



**File name: DS-413-D-480\_en**

Topview double unit | Platform width 480



**File name: DS-413-D-500\_en**

Topview double unit | Platform width 500

