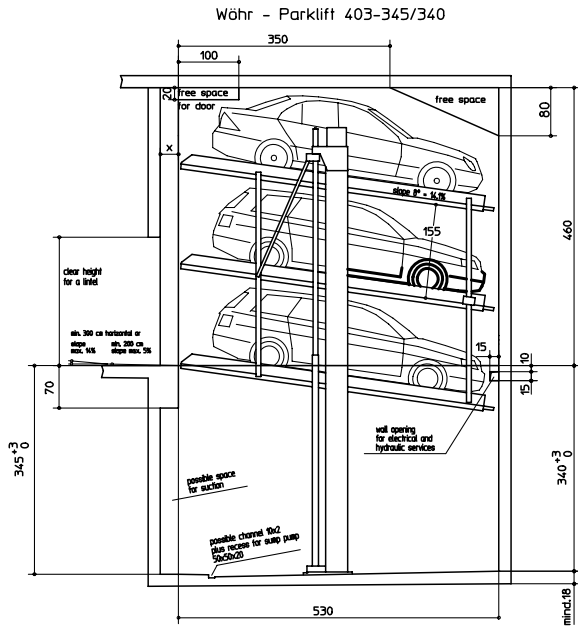


CAD files Parklift 403

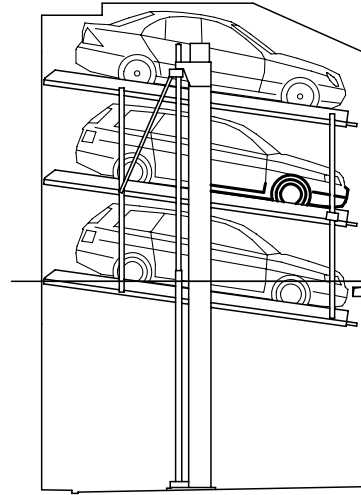
File name: 403-345_en

Section Parklift 403-345 (height 460)



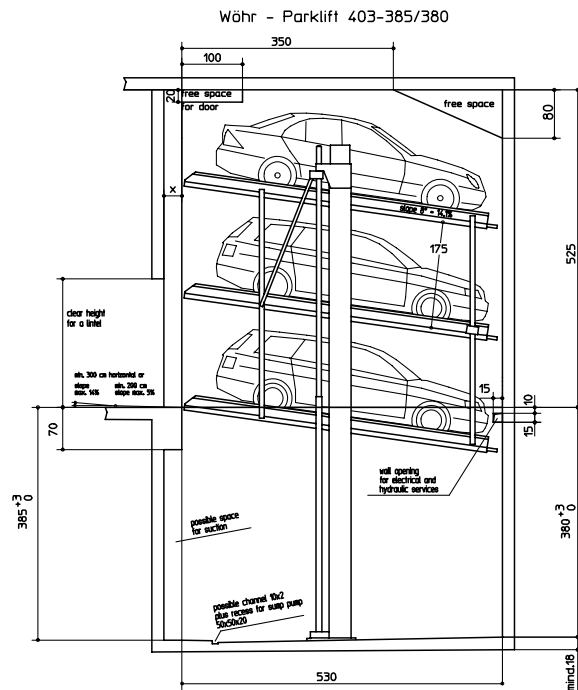
File name: 403-345_planning_en

Section for planning Parklift 403-345 (height 460)



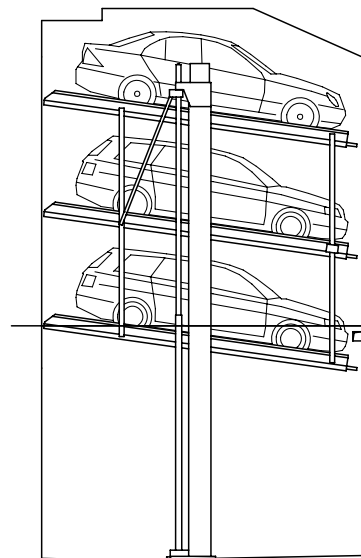
File name: 403-385_en

Section Parklift 403-385 (height 525)



File name: 403-385_planning_en

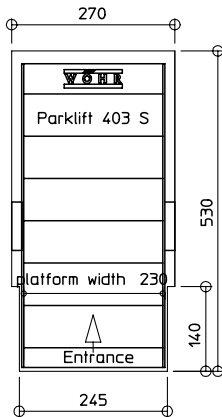
Section for planning Parklift 403-385 (height 525)



■ CAD files Parklift 403

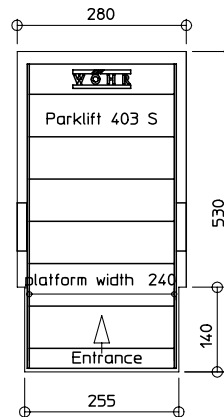
File name: DS-403-S-230_en

Topview single unit | Platform width 230



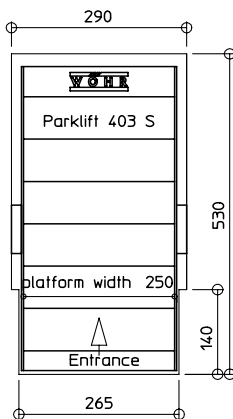
File name: DS-403-S-240_en

Topview single unit | Platform width 240



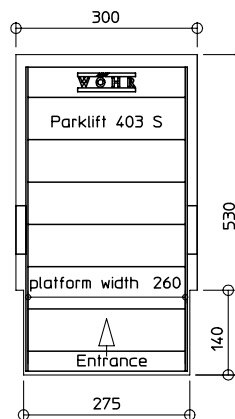
File name: DS-403-S-250_en

Topview single unit | Platform width 250



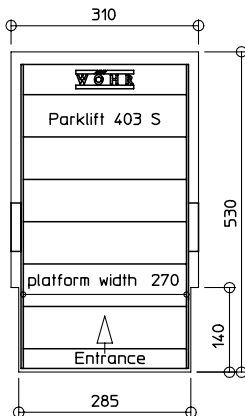
File name: DS-403-S-260_en

Topview single unit | Platform width 260



File name: DS-403-S-270_en

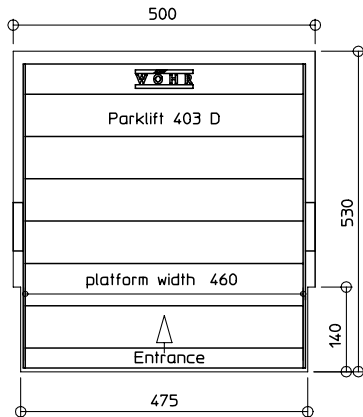
Topview single unit | Platform width 270



■ CAD files Parklift 403

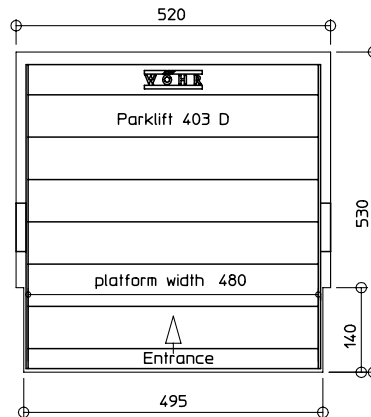
File name: DS-403-D-460_en

Topview double unit | Platform width 460



File name: DS-403-D-480_en

Topview double unit | Platform width 480



File name: DS-403-D-500_en

Topview double unit | Platform width 500

