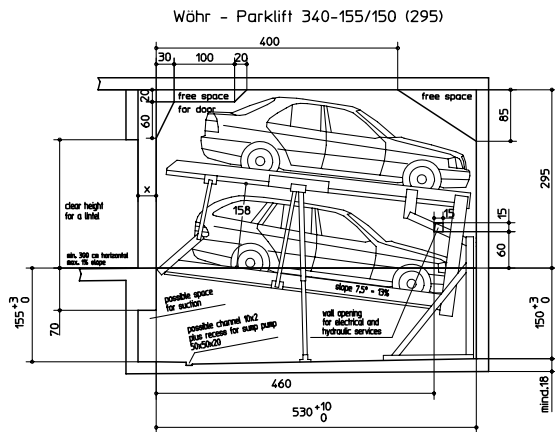
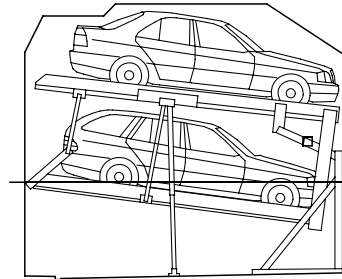


# CAD files Parklift 340

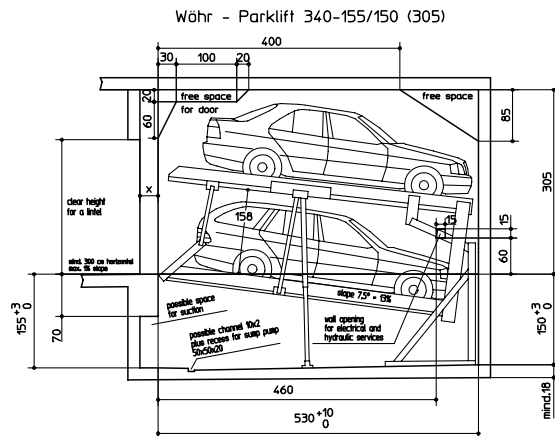
File name: 340-155-150-295\_en  
Section Parklift 340-155 (height 295)



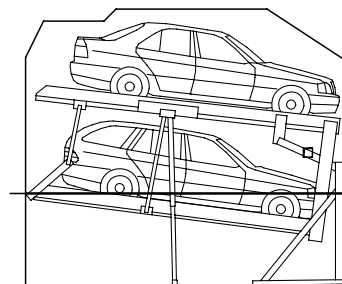
File name: 340-155-150-295\_planning\_en  
Section for planning Parklift 340-155 (height 295)



File name: 340-155-150-305\_en  
Section Parklift 340-155 (height 305)



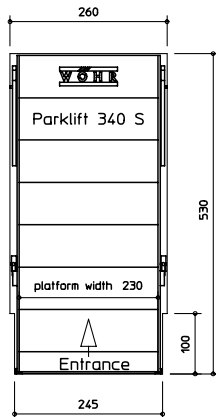
File name: 340-155-150-305\_planning\_en  
Section for planning Parklift 340-155 (height 305)



## ■ CAD files Parklift 340

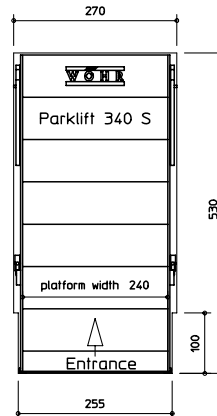
**File name: DS-340-S-230\_en**

Topview single unit | Platform width 230



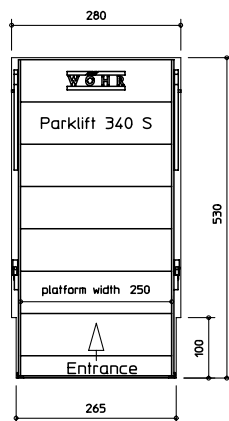
**File name: DS-340-S-240\_en**

Topview single unit | Platform width 240



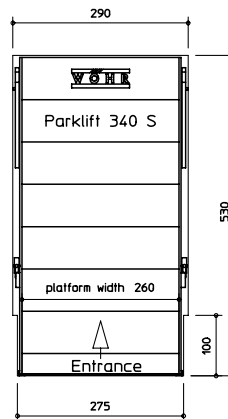
**File name: DS-340-S-250\_en**

Topview single unit | Platform width 250



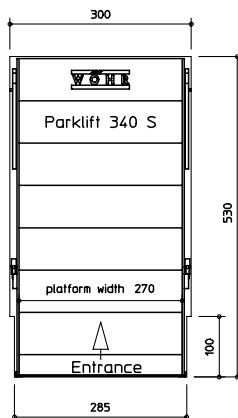
**File name: DS-340-S-260\_en**

Topview single unit | Platform width 260



**File name: DS-340-S-270\_en**

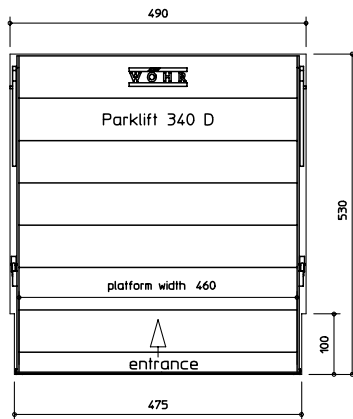
Topview single unit | Platform width 270



## CAD files Parklift 340

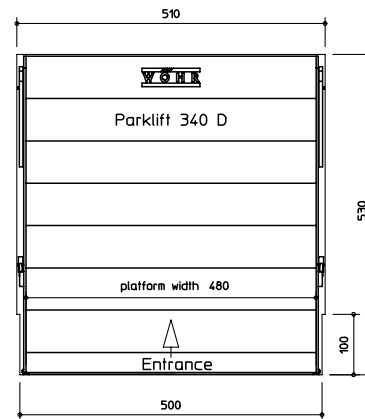
File name: DS-340-D-460\_en

Topview double unit | Platform width 460



File name: DS-340-D-480\_en

Topview double unit | Platform width 480



File name: DS-340-D-500\_en

Topview double unit | Platform width 500

